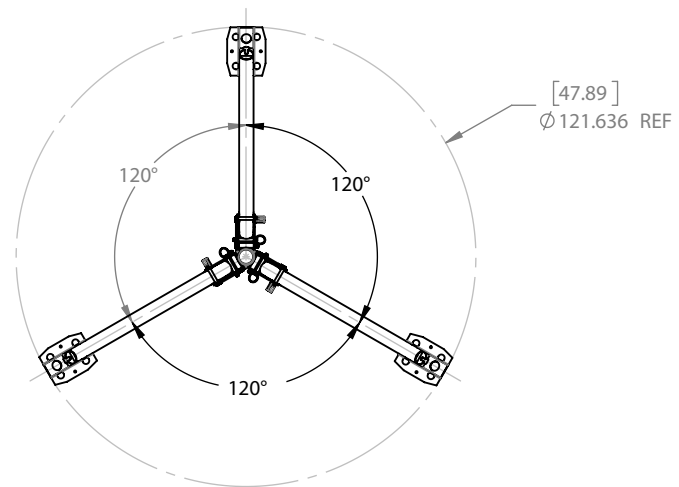
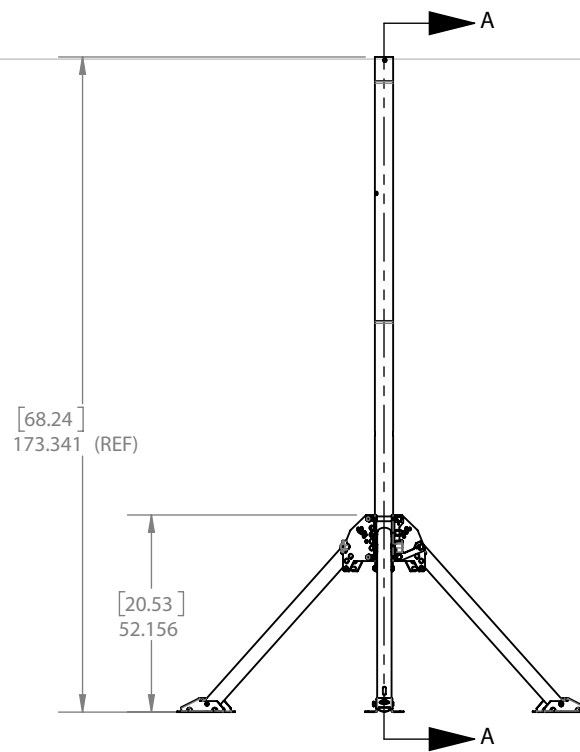


SECTION A-A



QUICK MET TRIPOD

© 2013 CAMPBELL SCIENTIFIC, INC.
THE INFORMATION CONTAINED IN THIS
DRAWING IS THE SOLE PROPERTY OF
CAMPBELL SCIENTIFIC, INC. ANY
REPRODUCTION IN PART OR AS A WHOLE
WITHOUT THE WRITTEN PERMISSION OF
CAMPBELL SCIENTIFIC, INC.
IS PROHIBITED.

SCALE 1:20

UNITS: $\frac{[IN]}{[CM]}$

7/27/2019