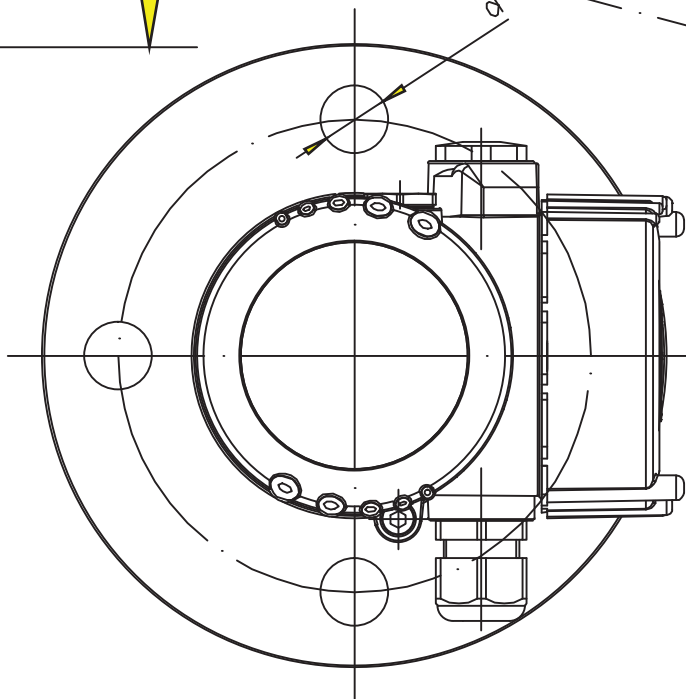
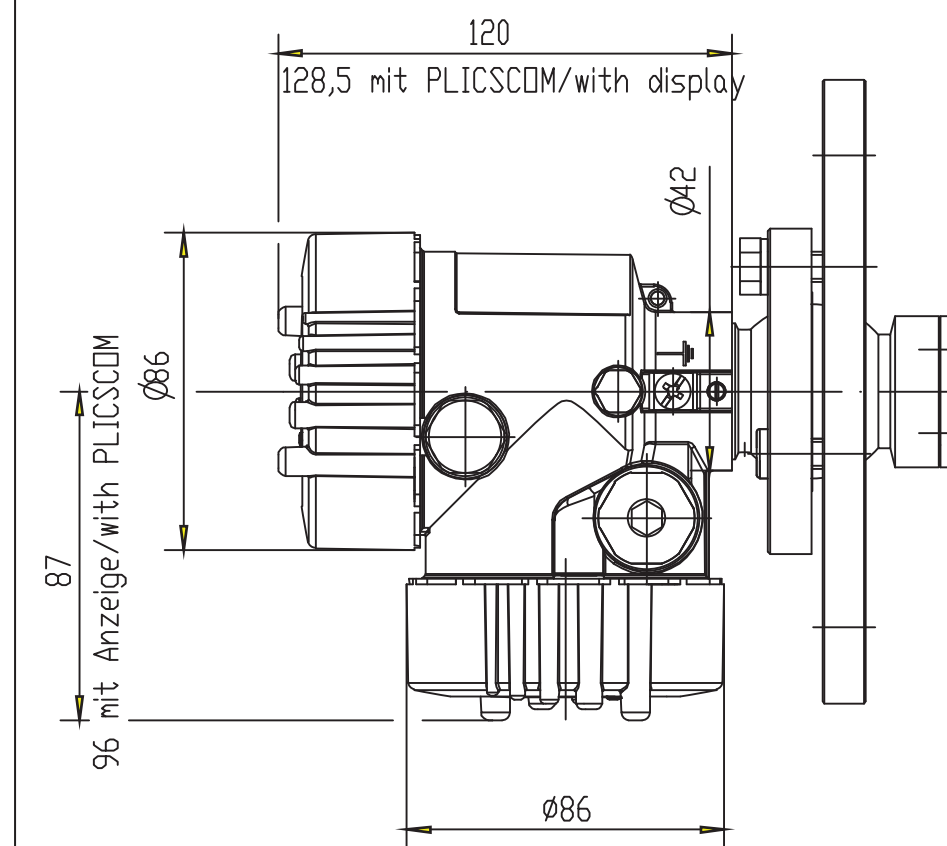


horn antenna	y	x
DN40 / 1½"	100	ø40
DN50 / 2"	120	ø48
DN80 / 3"	216	ø75
DN100 / 4"	430	ø95



flange			
DIN2501/EN1092-1	D	k	d
DN50	ø165	ø125	4xø18
DN80	ø200	ø160	8xø18
DN100	ø220	ø180	8xø18
ASME B 16.5			
ASME 2"	ø152,4	ø120,7	4xø19,1
ASME 3"	ø190,5	ø152,4	4xø19,1
ASME 4"	ø228,6	ø190,5	8xø19,1
JIS B 2220			
DN50	ø155	ø120	4xø19
DN80	ø185	ø150	8xø19
DN100	ø210	ø175	8xø19



NOTE: All Units Are In Millimeters

PROPRIETARY AND CONFIDENTIAL THE INFORMATION CONTAINED IN THIS DRAWING IS THE SOLE PROPERTY OF CAMPBELL SCIENTIFIC, INC. ANY REPRODUCTION IN PART OR AS A WHOLE WITHOUT THE WRITTEN PERMISSION OF CAMPBELL SCIENTIFIC, INC. IS PROHIBITED.	TOLERANCES + .010 - .010 <small>UNLESS OTHERWISE SPECIFIED</small>	DESIGN BY: BART R	DRAWN BY: BART R	COPYRIGHT: 7/8/11	DATE OF LAST REV.: 11/22/13
		DESCRIPTION: CS476 / CS477			SHEET 1-OF-1
SCALE: 1:2			DOCUMENT NUMBER XXXXXXXX	REV. 00	