

# CM300-series

## Mounting Poles and Pedestal Kits

### Mounting Poles

Campbell Scientific offers the CM300-series mounting poles for supporting sensors, enclosures, or other instrumentation. They are an ideal mount for remote sensors such as a tipping bucket rain gauge or net radiometer. Individual models differ in their length; the CM300 has a 23" length, the CM305 a 47" length, and the CM310 a 56" length. These mounting poles can be embedded directly into a concrete foundation (see illustration at top right) or used with a pedestal kit.

### Pedestal Kits

Three pedestal kits are offered as options for the mounting poles (see Ordering Information on page 2). Alternatively, the pedestal kits may be purchased separately to support a user-supplied 1.5" IPS pole.

#### *J-Bolt Kit*

The J-Bolt Kit is for permanent installations. With this kit, customers can more easily control the pole's placement—ensuring that the pole remains in a vertical position. J-bolts are installed in a concrete foundation using the template provided with the kit. Leveling nuts allow adjustment of the pole's position. The illustration at center right shows a 23" mounting pole fastened to a concrete foundation via the J-bolt kit.

#### *Short Leg Kit*

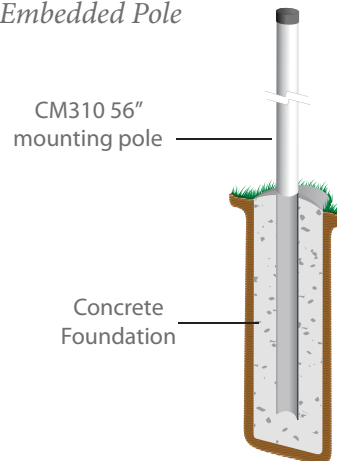
This pedestal kit is adequate for many temporary installations and for many situations where it is impractical to use a concrete foundation. The short leg kit includes three 23" legs, three metal feet, and a pedestal base. The feet can be secured to the ground by using three 17049 Grounding Spikes (purchased separately). A mounting pole supported by three short (23") legs looks similar to the illustration shown at bottom right.

#### *Long Leg Kit*

The long leg kit provides more stability for locations where the feet cannot be secured (e.g., pole sitting on a roof), for extended poles, or for areas that experience high wind speeds. This kit includes three 39" legs, three metal feet, and a pedestal base. The feet can be secured to the ground by using three 17049 Grounding Spikes (purchased separately). The illustration at bottom right shows a 56" mounting pole supported by three long (39") legs.

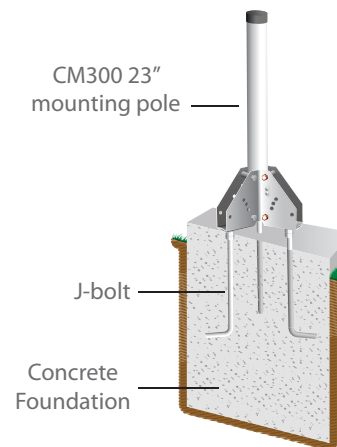
### Example Configurations

#### *Embedded Pole*



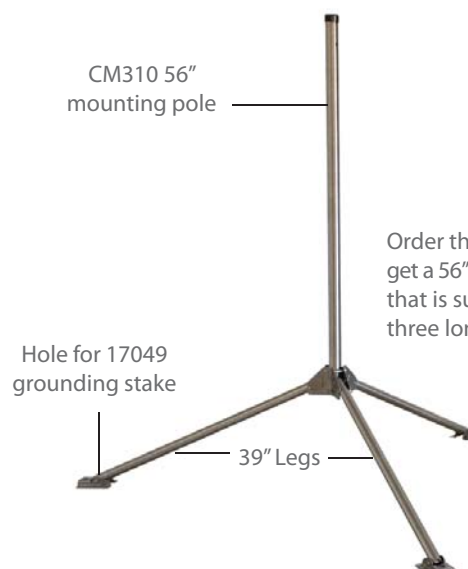
This cut away view shows a 56" mounting pole placed directly in a concrete foundation. Order a CM310-NP to get a 56" pole with no pedestal kit (see Ordering Information on page 2).

#### *Embedded J-Bolts with Leveling Nuts*



A cut away view shows a 23" pole attached to a concrete foundation via j-bolts. Order a CM300-PJ to get a 23" pole with the J-bolt pedestal kit.

#### *Pole Supported by Long (39") Legs*



Order the CM310-PL to get a 56" mounting pole that is supported with three long (39") legs.

## Ordering Information

### CM300-series Mounting Poles and Options

Model	Description
<b>CM300</b>	23-inch Mounting Pole with Cap
<b>CM305</b>	47-inch Mounting Pole with Cap
<b>CM310</b>	56-inch Mounting Pole with Cap
Pedestal Options	
These options are available for all of the mounting pole models.	
<b>-NP</b>	No Pedestal Base. Select this if you are embedding the pole directly in a concrete foundation or supplying your own method for supporting the pole.
<b>-PJ</b>	Pedestal J-Bolt Kit that provides leveling capability for permanent installations.
<b>-PS</b>	Pedestal Short Leg Kit that includes three 23" legs (feet can be secured to the ground via the 17049 Grounding Spikes).
<b>-PL</b>	Pedestal Long Leg Kit that includes three 39" legs (feet can be secured to the ground via the 17049 Grounding Spikes).

### Pedestal Kits for User-Supplied 1.5" IPS Poles

Model	Description
Use the following model numbers if ordering a pedestal kit only (not ordering a mounting pole).	
<b>CM340</b>	Pedestal J-Bolt Kit that provides leveling capability for permanent installations.
<b>CM350</b>	Pedestal Short Leg Kit that includes three 23" legs (feet can be secured to the ground via the 17049 Grounding Spikes).
<b>CM355</b>	Pedestal Long Leg Kit that includes three 39" legs (feet can be secured to the ground via the 17049 Grounding Spikes).

### Accessories

Model	Description
<b>17049</b>	Grounding Spike for securing one foot of the Short Leg Kit or Long Leg Kit. Three required.
<b>19238</b>	Grounding Kit used to protect the equipment by providing an earth ground.

## Specifications

### CM300-series Mounting Poles

Material: Stainless Steel

Pipe Size: 1.5" IPS

Outer Diameter: 1.9" (4.8 cm)

#### Length

CM300: 23" (58 cm)

CM305: 47" (119 cm)

CM310: 56" (142 cm)

#### Weight

CM300: 7 lbs (3.2 kg)

CM305: 14 lbs (6.4 kg)

CM310: 17 lbs (7.7 kg)

### J-bolt Kit

J-bolt Material: Stainless Steel

J-bolt Size: 1/2-13" x 12"

### Short Leg Kit

Pipe Size: 1.5" IPS

Leg Length: 23" (58 cm)

Pedestal Height and Base Radius:

Hole Position	Pedestal Height	Radius
Top	3"	27"
Middle	8"	25"
Bottom	13"	22"

### Long Leg Kit

Pipe Size: 1.5" IPS

Leg Length: 39" (99 cm)

Pedestal Height and Base Radius:

Hole Position	Pedestal Height	Radius
Top	5"	43"
Middle	15"	40"
Bottom	23"	34"